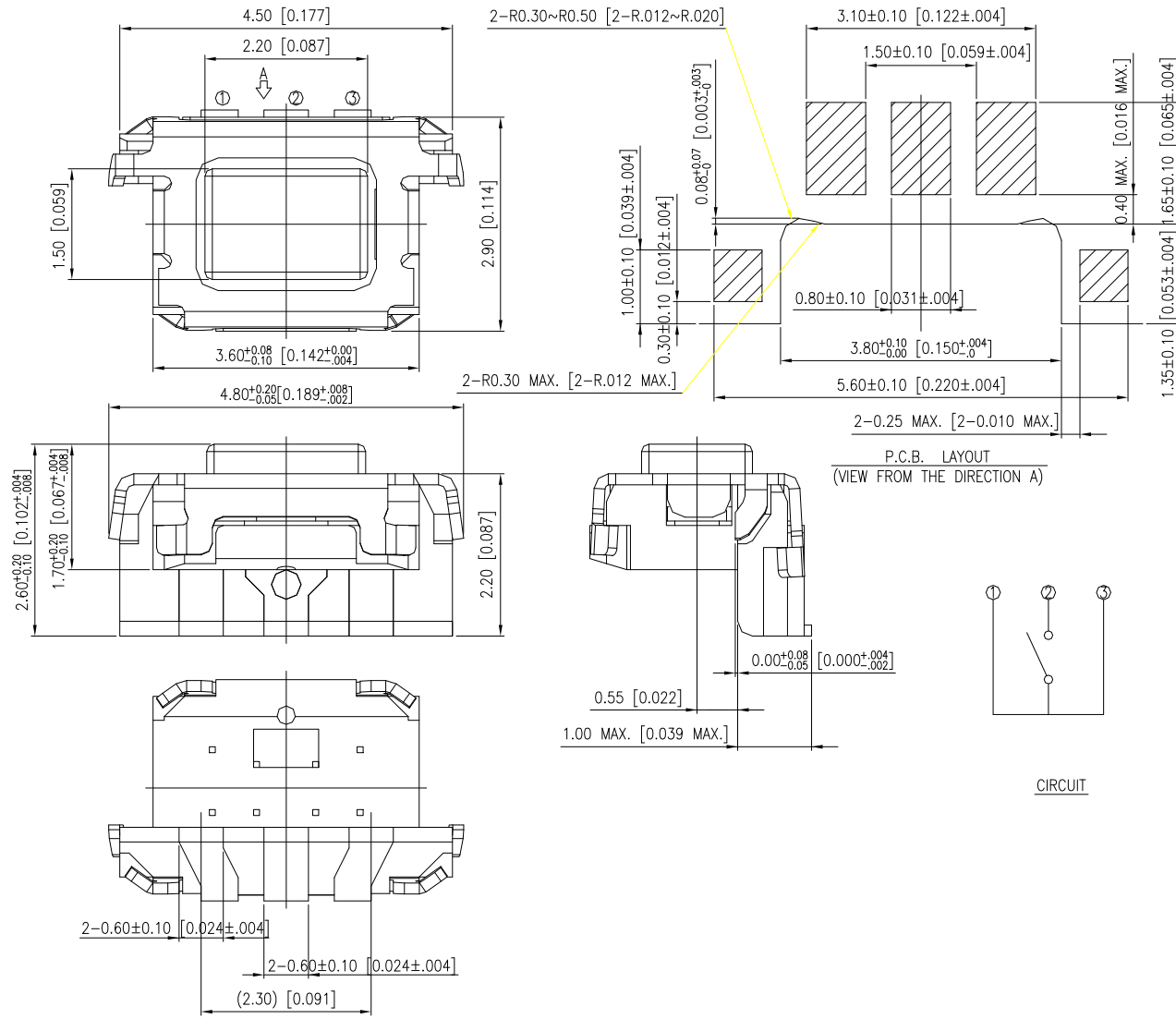


TCF SERIES



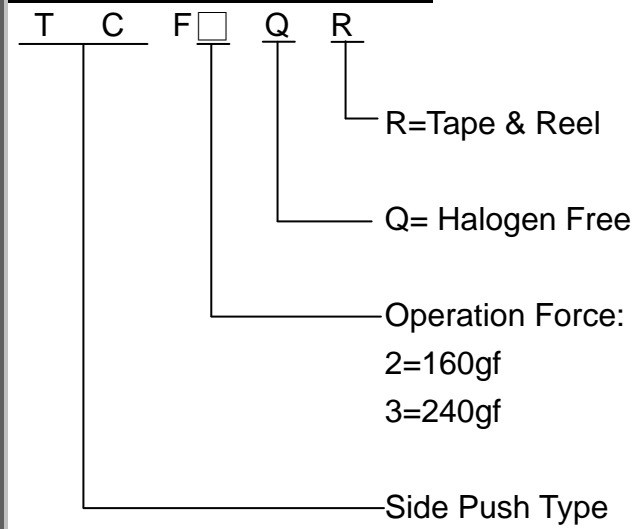
DIMENSION

TCF



General Tolerance : ±0.2mm

HOW TO ORDER



SPECIFICATION

△MECHANICAL

Operation Force : 160±50gf 240±70gf
 Stroke : 0.15±0.10mm
 Operation Temperature Range : -40°C to +85°C
 Storage Temperature Range : -40°C to +85°C

△ELECTRICAL

Electrical Life : 100,000 cycles
 10mA, 2VDC to 20mA, 15VDC
 Contact Resistance : 1000 mΩ max.
 Insulation Resistance : 100MΩ min. at 100 VDC
 Dielectric Strength: 250 VAC/1 minute
 Contact Arrangement : 1 pole 1throw

MATERIAL

△BASE : UL 94V-0 LCP High-Temp Thermoplastic.
 Color : Black
 △CONTACT : Stainless steel with silver cladding.
 △TERMINAL : Phosphor bronze with silver plating
 △STEM : UL 94V-0 LCP High-Temp Thermoplastic.
 Color : Black
 △TAPE : Kapton.
 △COVER : Stainless steel with silver plating.

SOLDERING PROCESS

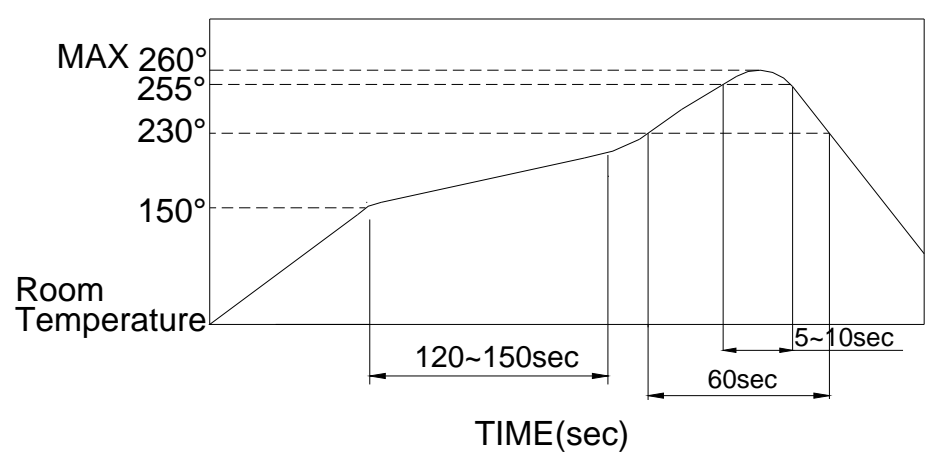
△CLEANING:

1. Only Tape sealed types apply to wash process.
2. Do not remove the tape before wash process.
3. After soldering process, do not continue the wash process immediately. Please wait for at least 3 minutes.
4. Apply alcoholic solvents as cleaning agent do not use other solvents or water.
5. Ultrasonic cleaning is not recommended.
6. The cleaning process per stage is max. 1 minute and the whole cleaning time are not to exceed 3 minutes.
7. Do not impose any external force on switch while washing.

△ Any flux enters the switch may fail the conductivity.

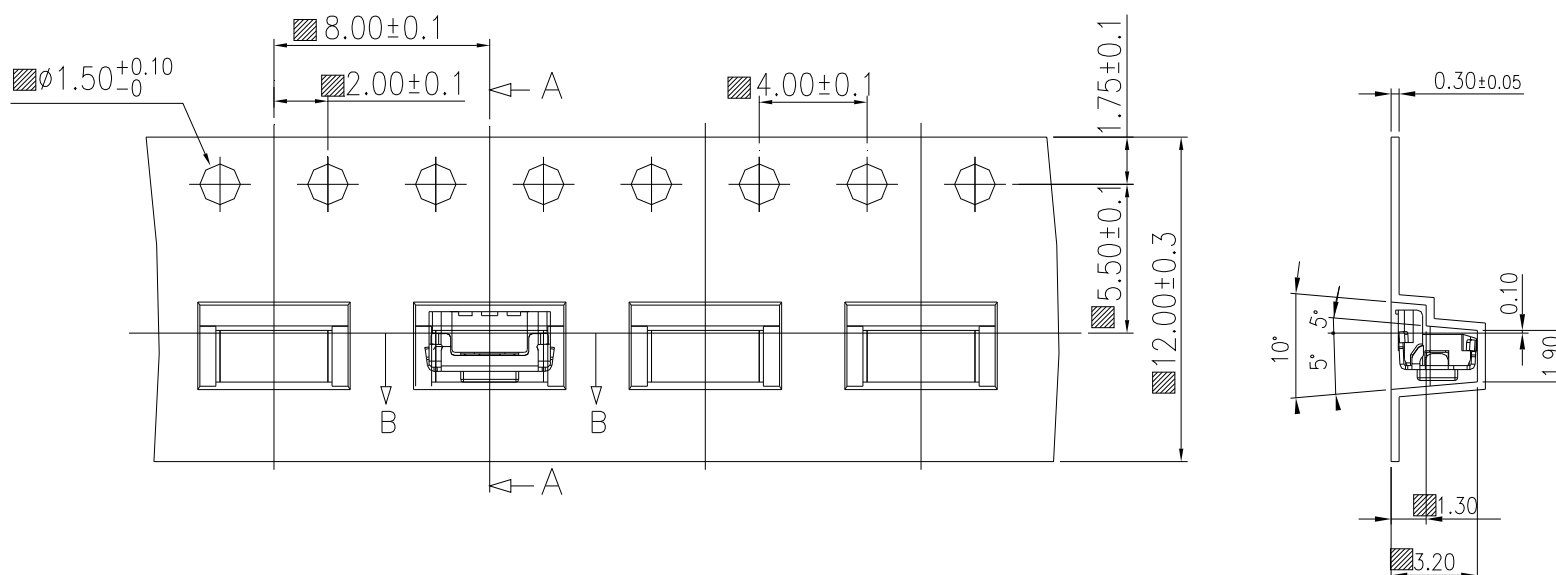
△Reflow Temperature Profile: (reference)

△Temperature Profile :



PACKING

Part Number	Number Per Tube	Number Per Reel
TCF	-	2400



General Tolerance : ±0.1mm